



Modular Systems / Series 10 50 to 240 Watts

The Power Professionals

*Power
Conversion
Products*



Features

- Single and multiple outputs
- AC and DC inputs
- COTS modular construction
- Input and output filtering
- Modified standards upon request



All specifications are typical at 25°C with nominal input voltage under full output load conditions, unless otherwise noted. Specifications subject to change without notice.

***Woman-owned small business**

Visit us at:
www.prime-power.com

Prime Power's

modular systems are complete turn-key systems. No external circuitry is required for proper operation. These systems are mainly comprised of Prime Power's "Power Blocks" series modular products, but are also designed to accept a wide variety of modular products made by other manufacturers. The flexibility of these designs allow for a large number of output and power combinations. The attached pages list a few of the standards. Non-standards are reviewed upon request. Due to the systems modular construction, these products are ideally suited for ruggedized commercial or industrial applications as well as military grade applications.



Technical Data

Input Characteristics

Voltage: 90-132/180-264 VAC
Auto-ranging
Frequency: 47-440 Hz
Transient: Trip circuit @ 275 VAC
Filtering: FCC filtering

Protection

Short circuit: Continuous
Over-current: Power or current foldback
Over-voltage: 120% of rated V_o (typical)
Over-temp.: 105°C (typical) auto-recovery.
Output voltage adjust: +/-10% V out

Output Characteristics (Typical)

Line Regulation: .5% (min to max line range)
Load Regulation: .5% (from 10% to 100% load)
Ripple: 1% typical
Trim Range: ±5% (main output)

Environmental

Temperature: -40 to 90°C case
Vibration: Mil-Std-810
Shock: Mil-Std-810
Salt Fog: Mil-Std-810
Sand & dust: Mil-Std-810



Modular Systems / Series 10 50 to 240 Watts

The Power Professionals

*Power
Conversion
Products*



Features

- Single and multiple outputs
- AC and DC inputs
- COTS modular construction
- Input and output filtering
- Modified standards upon request

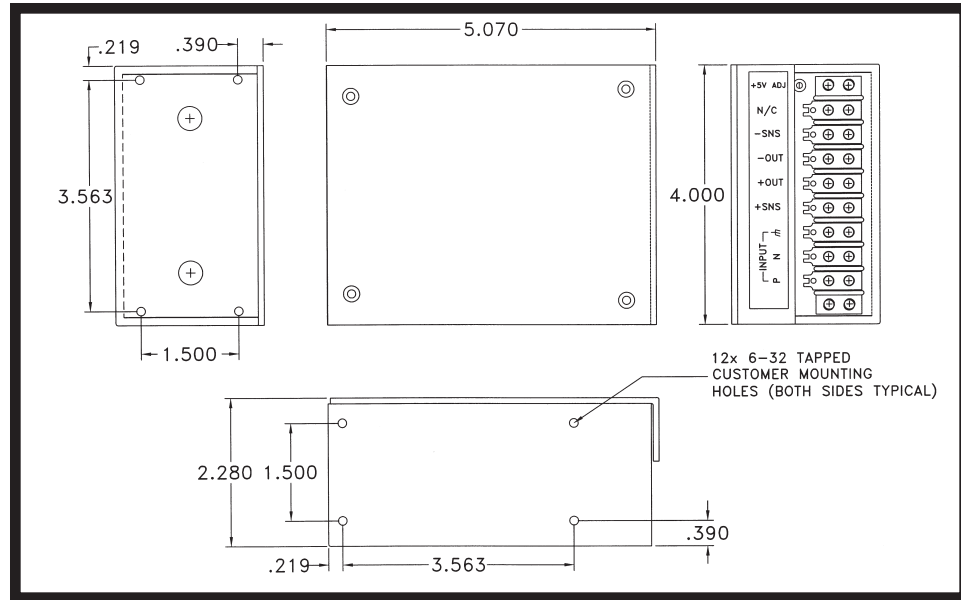
Prime Power, Inc.
1 Owens Court
Hamstead, NH 03841

Tel: 603. 329. 4675
Fax: 603. 329. 4641

***Woman-owned small
business**

Visit us at:
www.prime-power.com

Mechanical Drawings



Model Specifications

Single Outputs (non-standards upon request)			
Part no.	Power (Watts)	Voltage (VDC)	Current (Amps)
MS10 50/5	50	5	10
MS10 100/5	100	5	20
MS10 120/12	120	12	10
MS10 120/15	120	15	8
MS10 120/24	120	24	5
MS10 120/28	120	28	4
MS10 240/M1	240	±12	10
MS10 240/M2	240	±15	8

